

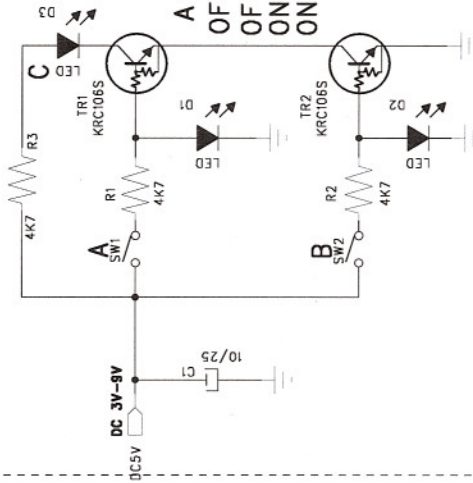
차수 변경의 위치

변경내용

차수 변경의 위치

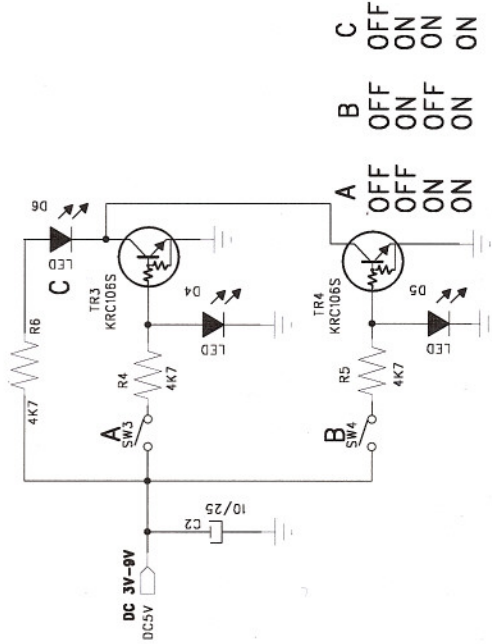
변경내용

AND GATE



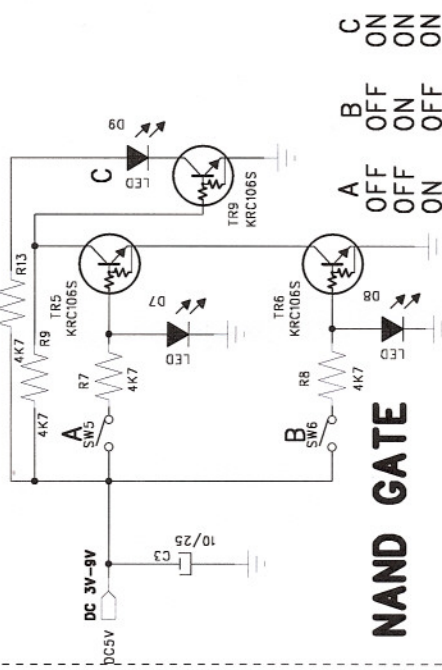
A	OFF	OFF	OFF
A	OFF	ON	OFF
A	ON	OFF	OFF
A	ON	ON	ON

OR GATE



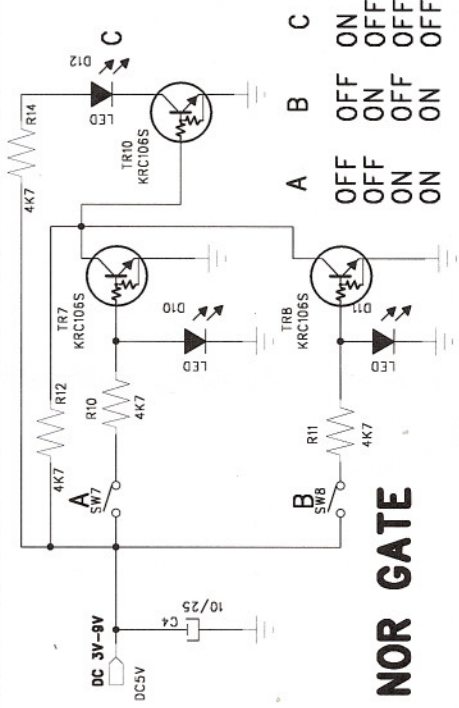
A	OFF	OFF	OFF
A	OFF	ON	ON
A	ON	OFF	ON
A	ON	ON	ON

NAND GATE



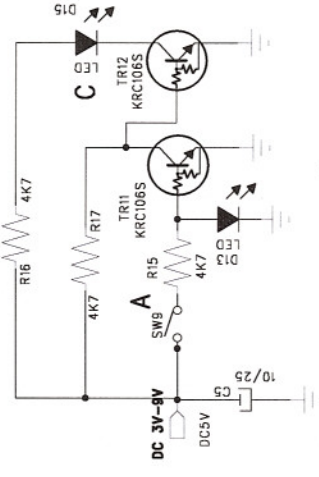
A	OFF	OFF	ON
A	OFF	ON	ON
A	ON	OFF	ON
A	ON	ON	OFF

NOR GATE



A	OFF	OFF	ON
A	OFF	ON	OFF
A	ON	OFF	OFF
A	ON	ON	OFF

NOT GATE



A	OFF	ON
A	ON	OFF

출도

대외비

CONTROL COPY